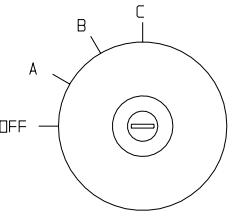
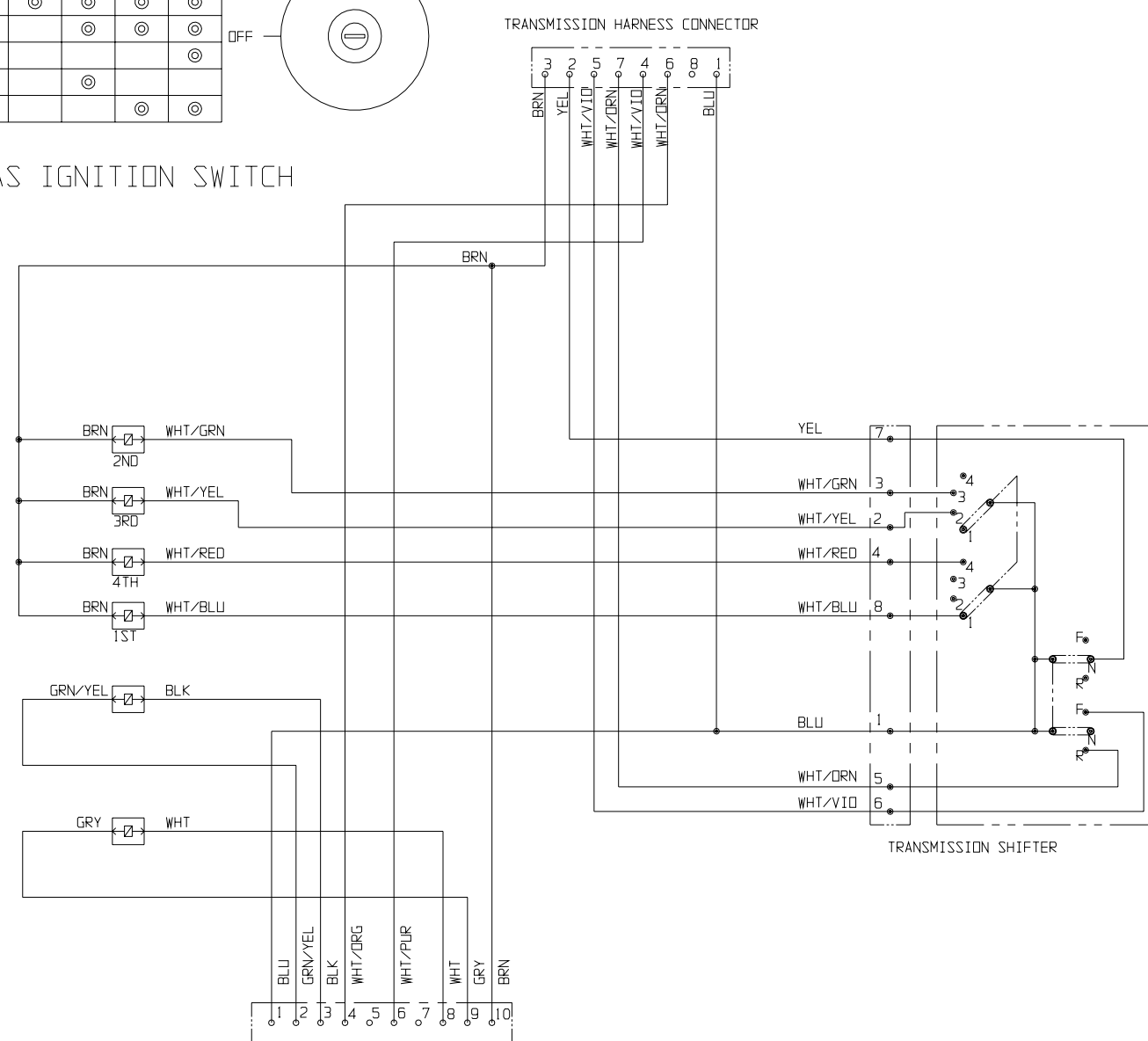


ELECTRIC CENTER DETAIL CONNECTOR (BACK) SIDE

| TERMINAL   | OFF | A | B | C |
|------------|-----|---|---|---|
| 1 SUPPLY   | ⊙   | ⊙ | ⊙ | ⊙ |
| 2 SWITCHED |     | ⊙ | ⊙ | ⊙ |
| 3 START    |     |   |   | ⊙ |
| 4 AUX      |     | ⊙ |   |   |
| 5 GLO PLUG |     |   | ⊙ | ⊙ |



LUCAS IGNITION SWITCH



TRANSMISSION HARNESS WIRING

HARNESS SUPPLIED WITH TRANSMISSION  
USE P/N 14105-013 REPLACEMENT HARNESS

- RELAYS:
- A SPARE
  - B HORN
  - C SPARE
  - D LEFT FRAME SWAY LOCKOUT
  - E RIGHT FRAME SWAY LOCKOUT
  - F PRIMARY REAR AXLE CONTROL
  - G REAR AXLE SLOW FLOAT
  - H REAR AXLE FAST FLOAT
  - J FRAME SWAY OVERRIDE
  - K ENGINE START ENABLE
  - L DISABLE FORWARD DRIVE
  - M DISABLE REVERSE DRIVE
  - N ELEVATED DRIVE/SWAY OVERRIDE
  - P OUTRIGGER DRIVE LOCKOUT

- ELECTRICAL CENTER
- F1 5 AMP MINI, FUEL CONTROL
  - F2 7.5 AMP MINI, TRANSMISSION
  - F3 5 AMP MINI, GAUGES/INDICATOR LIGHTS
  - F4 10 AMP MINI, PARK BRAKE
  - F6 7.5 AMP MINI, SWAY RIGHT, ELEVATED
  - F7 10 AMP MINI, AXLE FLOT, FWD/REV
  - F9 7.5 AMP MINI, SWAY LEFT, ELEVATED
  - F10 10 AMP MINI, OUTRIGGERS
  - F12 10 AMP MINI, INTERLOCKS

NOTES:

1. UNLESS OTHERWISE INDICATED ALL WIRES ARE 16 AWG. THOSE WITH AN ASTERISK PREFIX ARE 18 AWG (THESE MAY ALTERNATIVELY BE 16 AWG)
2. UNLABELED AND Bxxx LABELED GROUND WIRES ARE BLACK 16 AWG UNLESS NOTED OTHERWISE.
3. ALL WIRES LABELED Wxxx ARE WHITE 16 AWG.
4. NUMBERED WIRES WITH A COMMON LETTER SUFFIX MAY BE DAISY CHAINED WITH ANY JOINTS AND CRIMPED ENDS SOLDERED.
5. ALL ELECTRICAL CENTER TERMINALS TO BE CRIMPED AND SOLDERED.

LAST REV: 6-10-05 ADD WIRE FROM F11 TO F12 IN ELECTRIC CENTER

**FRESNO ENGINEERING DESIGN GROUP**

5493 EAST OLIVE AVE. FRESNO CALIFORNIA 93727  
THE INFORMATION CONTAINED IN THIS DRAWING IS THE SOLE PROPERTY OF FRESNO ENGINEERING DESIGN GROUP. ANY REPRODUCTION IN WHOLE OR IN PART WITHOUT THE WRITTEN PERMISSION OF FRESNO ENGINEERING DESIGN IS PROHIBITED.

| DESCRIPTION                                     | ECO | DRN                | DATE    |
|---|-----|--------------------|---------|
| CAD FILE: DRN: GLC DATE: 1/31/05 SCALE: NONE    |     |                    |         |
| TITLE: ELECTRIC CENTER AND TRANSMISSION HARNESS |     |                    | SHT 3/6 |
| MACHINE: XRM945R1/XRM1045                       |     | DWG. NO. 25207-000 | REV 1   |
| TYPE:   |     |                    |         |