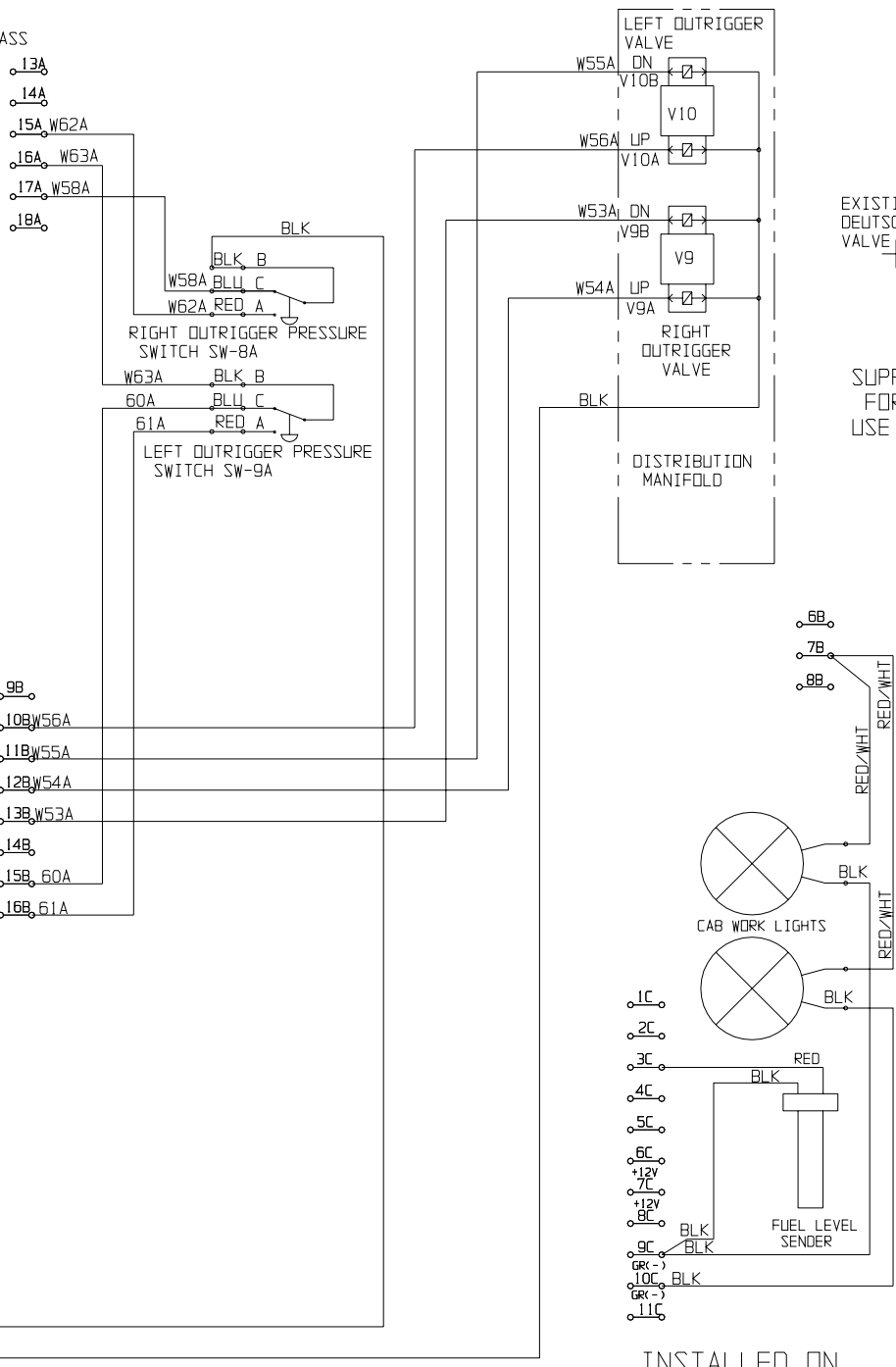


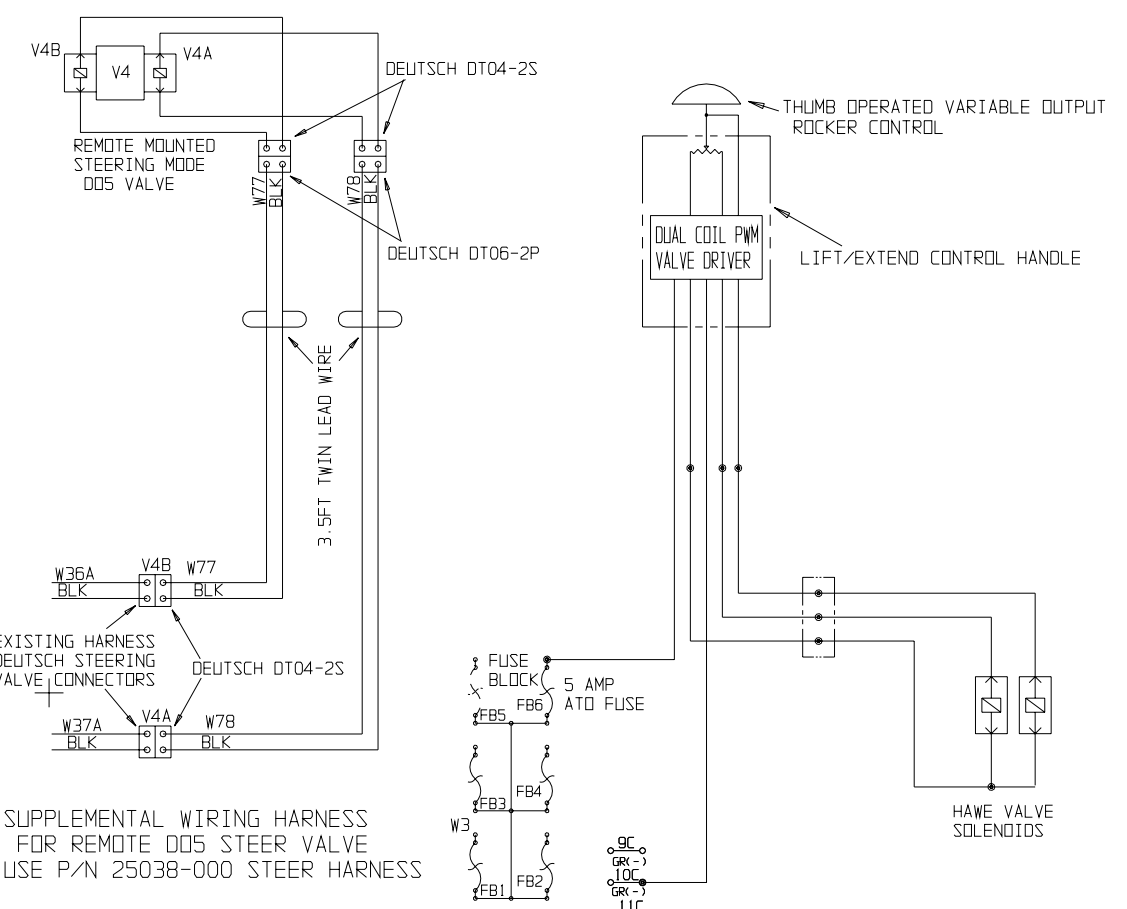
- CHASSIS FUNCTIONS**
- 1A W1/1A FUEL SHUT OFF SOLENOID
 - 2A W2/2A START RELAY (+ SIDE)
 - 3A W3/3A FUEL PUMP (+ SIDE)
 - 4A SPARE
 - 5A W5/5A GLOW PLUG
 - 6A W7/7A OIL PRESSURE SENDER
 - 7A W8/8A COOLANT TEMPERATURE
 - 8A W10/10A START RELAY (- SIDE)
 - 9A W15/15A PARK BRAKE VALVE
 - 10A W16/16A LOW BRAKE PRESSURE WARNING
 - 11A W23/23A REAR AXLE FLOAT VALVE
 - 12A W24/24A LEVEL LOCKOUT /24B REAR BYPASS
 - 13A W25/25A LEFT SWAY LOCKOUT
 - 14A W26/26A RIGHT SWAY LOCKOUT
 - 15A W62/62A RIGHT D/R SWITCH N.O.
 - 16A W63/63A LEFT D/R SWITCH COMMON
 - 17A W58/58A RIGHT D/R SWITCH N.C.
 - 18A SPARE W63B

- 1B W35/28/28A SWAY LIMIT OVERRIDE-IN
- 2B W29/29A SWAY LIMIT OVERRIDE-OUT
- 3B W34/34A BOOM ANGLE LIMIT
- 4B W36/36A STEER MODE 'B'
- 5B W37/37A STEER MODE 'A'
- 6B W39/39A REAR AXLE CENTER SWITCH
- 7B W41/41A/41B CAB LIGHTS 12VDC
- 8B SPARE
- 9B W66/66A OIL PRESS SW TO HR METER
- 10B W56/56A LEFT D/R UP
- 11B W55/55A LEFT D/R DOWN
- 12B W54/54A RIGHT D/R UP
- 13B W53/53A RIGHT D/R DOWN
- 14B W59/59A USED FOR XRM945/737 ONLY
- 15B W60/60A LEFT D/R SWITCH N.C.
- 16B W61/61A LEFT D/R SWITCH N.O.

- TS-C**
- 1C W43/43A HORN
 - 2C W44/44A BACKUP ALARM/LIGHT
 - 3C W45/45B FUEL LEVEL CAB SIDE ONLY
 - 4C W51/51A OIL TEMPERATURE SWITCH
 - 5C W11A ALTERNATOR INITIATE (D-)
 - 6C SWITCHED 12VDC
 - 7C +12V
 - 8C +12V
 - 9C GROUND (-)
 - 10C GROUND (-)
 - 11C GROUND (-)
 - 12C SPARE



CHASSIS SIDE SUPPLEMENTAL HARNESS
 USE P/N 25017-000 OUTRIGGER HARNESS



ELECTRA-PROPORTIONAL FORK TILT CONTROL

FLASHING AMBER BEACON
 OR
 ANY OTHER LIGHTS OFF THE
 STANDARD CONSOLE LIGHT SWITCH

- NOTES:**
- UNLESS OTHERWISE INDICATED ALL WIRES ARE 16 AWG. THOSE WITH 18 AWG INDICATED MAY ALSO BE 16 AWG
 - UNLABELED AND Bxxx LABELED GROUND WIRES ARE BLACK 16 AWG UNLESS NOTED OTHERWISE.
 - ALL WIRES LABELED Wxxx ARE WHITE 16 AWG.
 - NUMBERED WIRES WITH A COMMON LETTER SUFFIX MAY BE DAISY CHAINED

INSTALLED ON
 ASSEMBLY LINE
 ROUTE THROUGH
 FRAME TUBING

LAST REV: ADD ODS STEER VALVE HARNESS DETAIL

FRESNO ENGINEERING DESIGN GROUP		ECO	DRN	DATE
DESCRIPTION	DRN: GLC	DATE: 9/16/04	SCALE: NONE	
TITLE: OUTRIGGERS HARNESS AND OPTIONS				SHT 6/6
MACHINE: XRM1145/1245 & XRM1154/1254		DWG. NO. 25208-000		REV

OUTRIGGER WIRING HARNESS
 (ADDED WIRING FOR OUTRIGGER INSTALLATION)