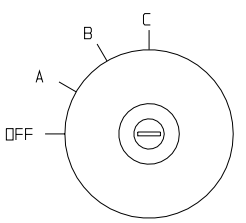
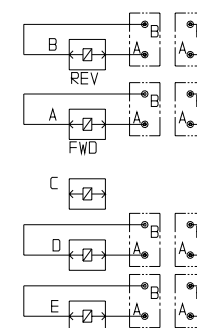


ELECTRIC CENTER DETAIL CONNECTOR (BACK) SIDE

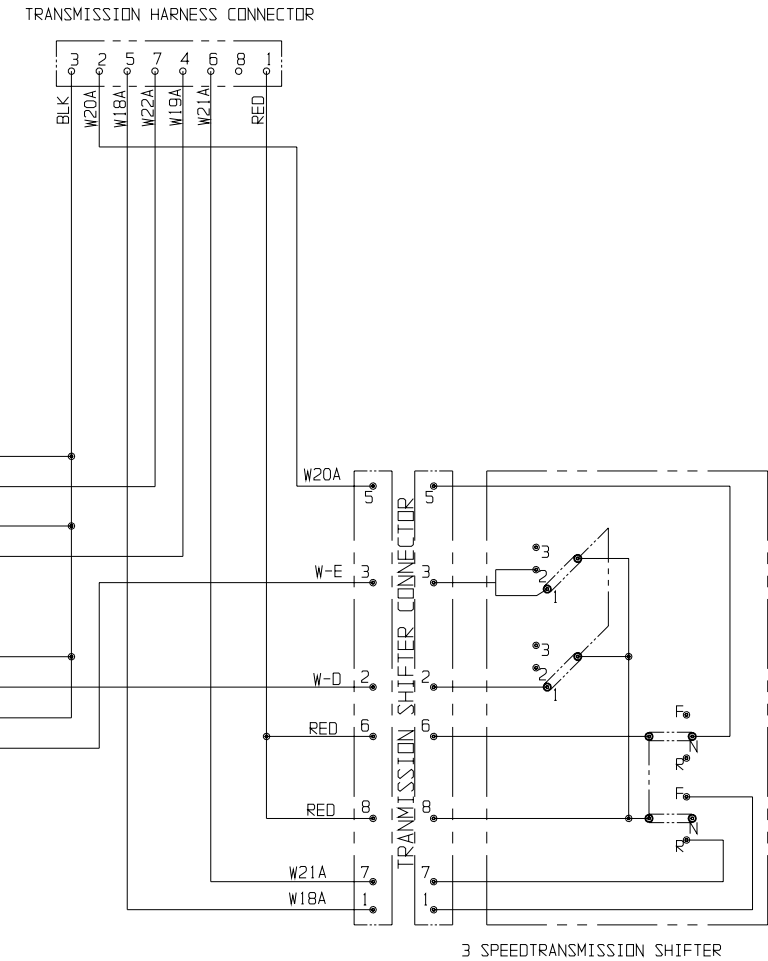
TERMINAL	OFF	A	B	C
1 SUPPLY	⊙	⊙	⊙	⊙
2 SWITCHED		⊙	⊙	⊙
3 START				⊙
4 AUX		⊙		
5 GLO PLUG			⊙	⊙



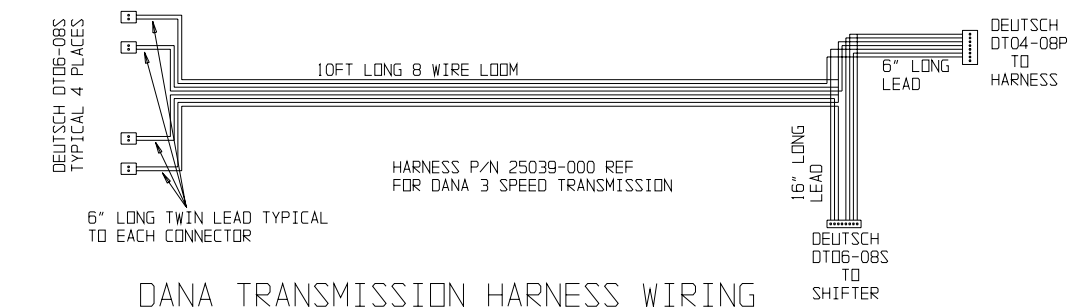
LUCAS IGNITION SWITCH



TRANSMISSION COILS SHOWN IN ACTUAL VERTICAL ORDER



DANA TRANSMISSION HARNESS NOT SUPPLIED WITH TRANSMISSION



DANA TRANSMISSION HARNESS WIRING

- RELAYS:
- A SPARE
 - B HORN
 - C SPARE
 - D LEFT FRAME SWAY LOCKOUT
 - E RIGHT FRAME SWAY LOCKOUT
 - F PRIMARY REAR AXLE CONTROL
 - G REAR AXLE SLOW FLOAT
 - H REAR AXLE FAST FLOAT
 - J FRAME SWAY OVERRIDE
 - K ENGINE START ENABLE
 - L DISABLE FORWARD DRIVE
 - M DISABLE REVERSE DRIVE
 - N ELEVATED DRIVE/SWAY OVERRIDE
 - P OUTRIGGER DRIVE LOCKOUT

- ELECTRICAL CENTER
- F1 5 AMP MINI, FUEL CONTROL
 - F2 7.5 AMP MINI, TRANSMISSION
 - F3 5 AMP MINI, GUAGES/INDICATOR LIGHTS
 - F4 10 AMP MINI, PARK BRAKE
 - F6 7.5 AMP MINI, SWAY RIGHT, ELEVATED
 - F7 10 AMP MINI, AXLE FLOT, FWD/REV
 - F9 7.5 AMP MINI, SWAY LEFT, ELEVATED
 - F10 10 AMP MINI,
 - F12 10 AMP MINI, INTERLOCKS

NOTES:

1. UNLESS OTHERWISE INDICATED ALL WIRES ARE 16 AWG. THOSE WITH AN ASTERISK PREFIX ARE 18 AWG (THESE MAY ALTERNATIVELY BE 16 AWG)
2. UNLABELED AND Bxxx LABELED GROUND WIRES ARE BLACK 16 AWG UNLESS NOTED OTHERWISE.
3. ALL WIRES LABELED Wxxx ARE WHITE 16 AWG.
4. NUMBERED WIRES WITH A COMMON LETTER SUFFIX MAY BE DAISY CHAINED WITH ANY JOINTS AND CRIMPED ENDS SOLDERED.
5. ALL ELECTRICAL CENTER TERMINALS TO BE CRIMPED AND SOLDERED.

LAST REV:		DESCRIPTION		ECD	DRN	DATE
XTREME MANUFACTURING 1415 W BONANZA RD, LAS VEGAS, NV 89106		CAD FILE:		DRN: GLC	DATE: 6/12/09	SCALE: NONE
		TITLE:		ELECTRIC CENTER AND TRANSMISSION HARNESS		SHT 3/4
THE INFORMATION CONTAINED IN THIS DRAWING IS THE SOLE PROPERTY OF XTREME MANUFACTURING DIV OF AHERN RENTALS. REPRODUCTION IN WHOLE OR IN PART WITHOUT THE WRITTEN PERMISSION OF XTREME MANUFACTURING IS PROHIBITED.		MACHINE: XRM3034		DWG. NO. 25223-000		REV 0