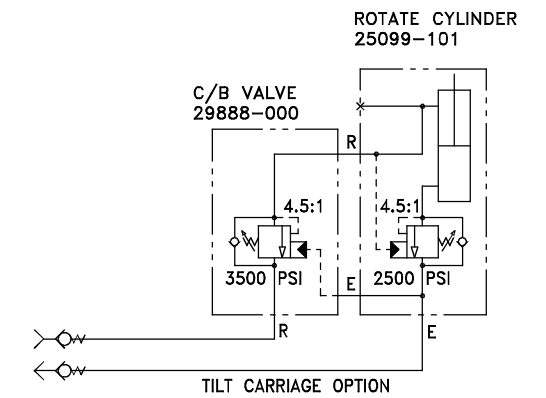
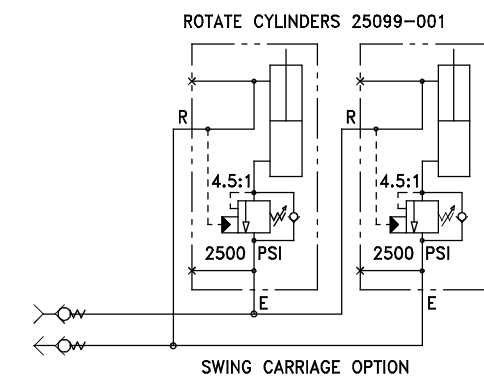
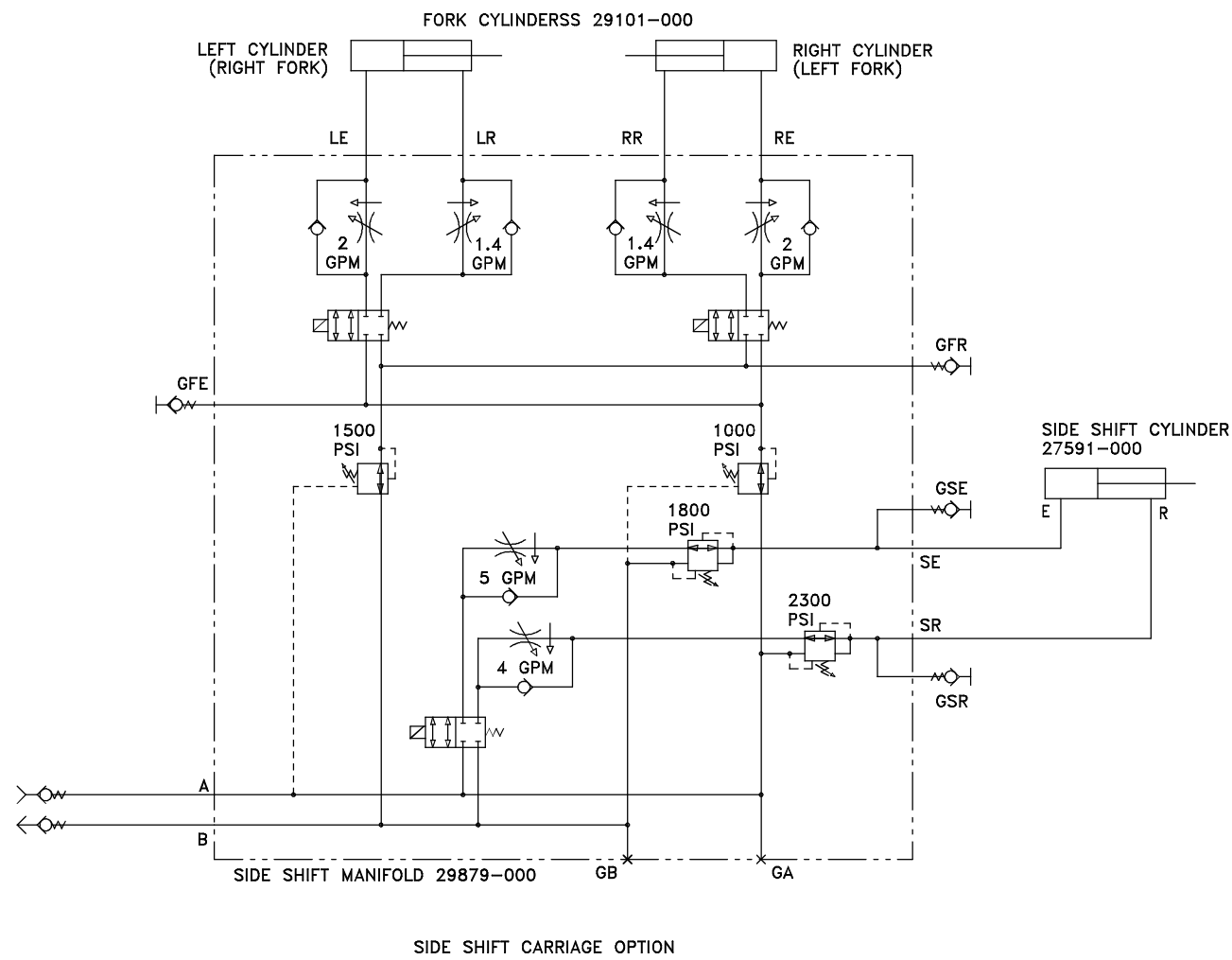
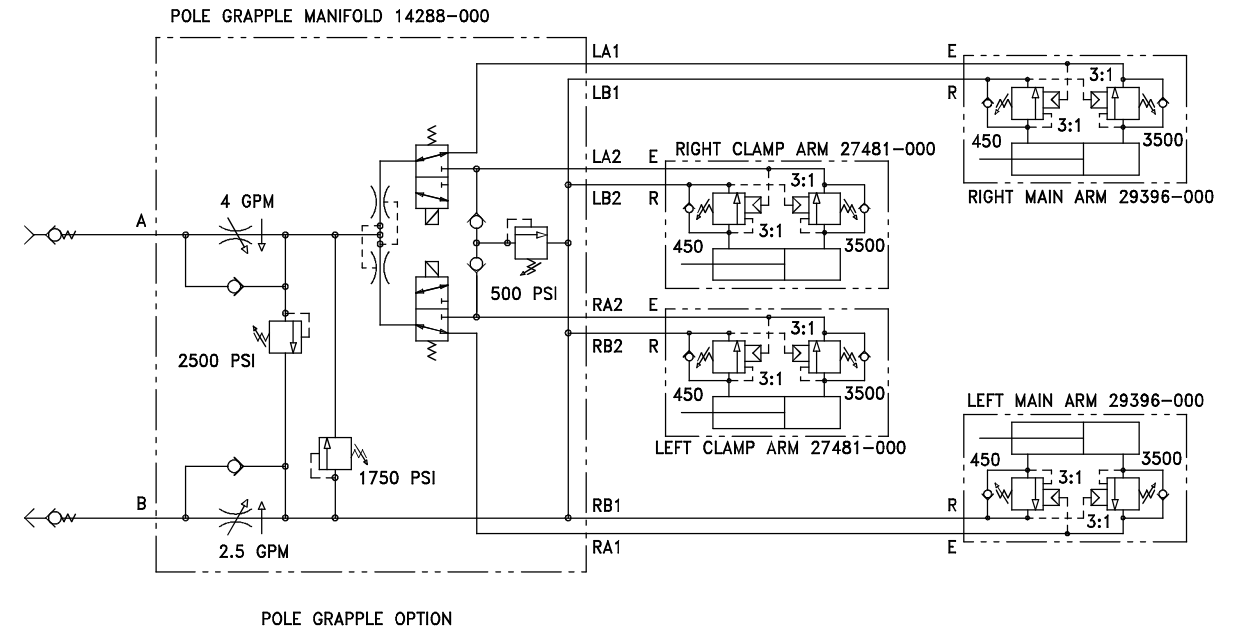
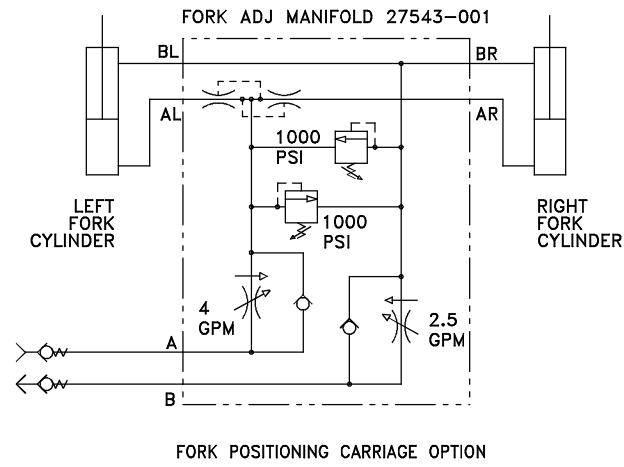


FORK CYLINDERS
 48 INCH CARRIAGE: 30630-000
 72 INCH CARRIAGE: 29044-000
 96 INCH CARRIAGE: 29101-000



XTREME MANUFACTURING 1415 W BONANZA RD, LAS VEGAS, NV <small>THE INFORMATION CONTAINED IN THIS DRAWING IS THE SOLE PROPERTY OF XTREME MANUFACTURING. ANY REPRODUCTION IN WHOLE OR IN PART WITHOUT THE WRITTEN PERMISSION OF XTREME MANUFACTURING IS PROHIBITED.</small>		DESCRIPTION		ECO	DRN	DATE
		CAD FILE:	DRN: HHH	DATE: 5/6/12	SCALE:	
TITLE: HYDRAULIC SCHEMATIC		MACHINE: AUX ATTACHMENTS		DWG. NO. 25226-000		SHT 1/1
TYPE:		REV 00				